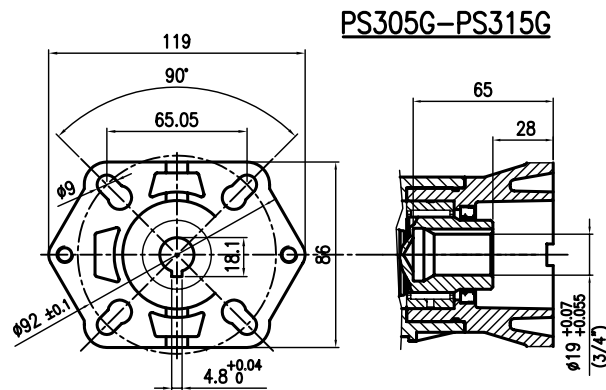
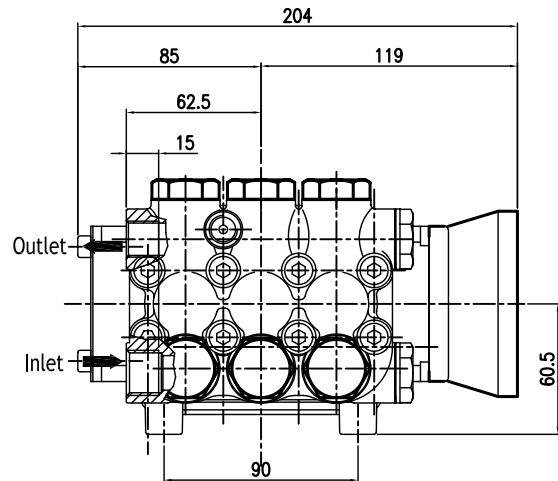
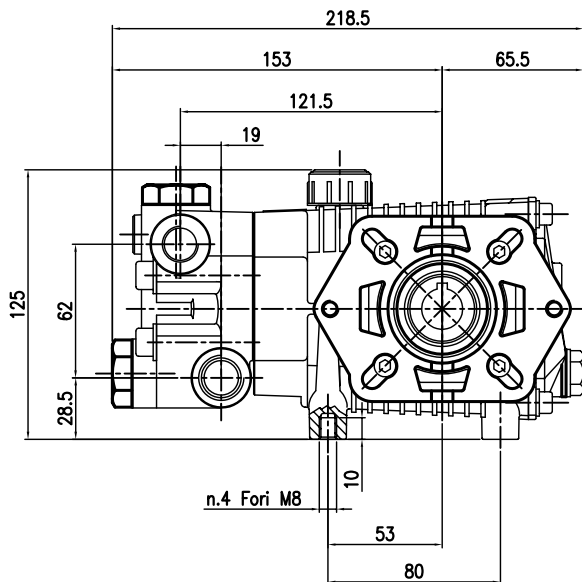


Pump Pompe Pumpen Pompa	Pressure Pression Druck Pressione		Volume Débit Leistung Portata		RPM tours/min u.p.m. giri/min	Required HP Puissance HP Leistung HP Potenza HP	Inlet port Entrée Eingang Aspirazione	Outlet Sortie Ausgang Mandata
	bar	PSI	l/min	GPM				
PS305G	200	3000	9.5	2.5	3400	5.0	G 1/2	G 3/8
PS315G	200	3000	11.4	3.0	3400	6.0	G 1/2	G 3/8

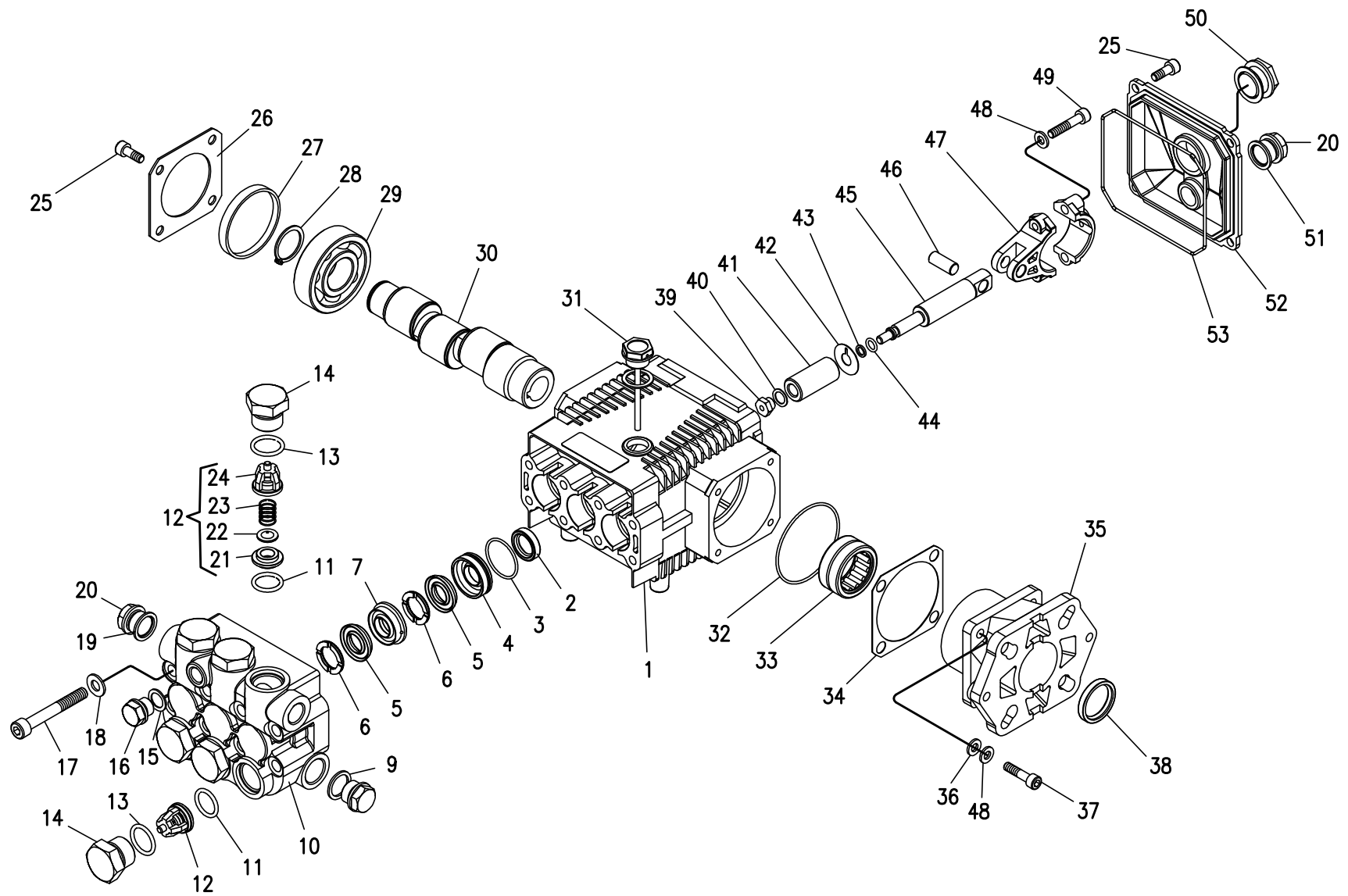
Dimensioni d' ingombro

Overall dimensions



Lubrificazione: Olio SAE 20/40W
Capacità 0.4 Litri

Lubrication: SAE 20/40W Oil
Capacity 0.4 Litri



PS305G
PS315G

HAWK *PS G*

PS-G Series

SPARE PARTS KIT

KIT RICAMBI

Posizioni Item	Part Number & Description	Codice e Descrizione	Q.tà per ogni Pompa Q.ty for each Pump	PS305G	PS315G
3- 5- 6	2614.08 Plunger Seals 15 mm	2614.08 Guarnizioni pistone Ø15	1	■	■
2- 3- 4- 5- 6- 7	2614.09 Complete seal Packing 15 mm	2614.09 Pacco completo Guarnizioni pistone Ø15	3		
39- 40- 41- 42 43- 44	2614.04 Plunger 15 mm	2614.04 Pistone Ø15	3		
11- 12- 13	2600.28 Complete Valve	2600.28 Valvola completa	1		
2	2608.26 Plunger oil Seals	2608.26 Anelli tenuta olio Asta	1		
2- 3- 4- 5- 6- 7 8- 9- 10- 11- 12 13- 14- 15- 16 17- 18- 19- 20	2612.35 Complete Manifold	2612.35 Testata Completa	1		
43- 44- 45- 46 47- 48- 49	3100.20 Conn. Rod-Plung. Rod Assy	3100.20 Premontato Biella-Asta	3		

PARTS LIST

LISTA PARTI

Pos. Item	Codice Part Number	Description	Descrizione	Q.tà per ogni Pompa Q.ty for each Pump	PS305G	PS315G
1	0202.92	Crankcase	Carter	1	■	■
*2	0001.05	Plunger oil seal	Anello radiale	3		
*3	0601.81	"O" Ring Ø1.78x28,30	"O" Ring Ø1.78x28,30	3		
*4	1201.31	Pressure ring 15mm	Pressore Ø15	3		
*5	0002.07	"V" seal, dia.15mm	Anello tenuta "V" Ø15	6		
*6	0300.48	Support ring 15mm	Diffusore Ø15	6		
*7	0300.49	Intermed. ring 15mm	Diffusore Interm. Ø15	3		
*8	1601.20	Brass plug G1/2	Tappo G1/2	1		
*9	0603.07	Copper washer 1/2	Guarnizione rame G1/2	1		
*10	1602.28	Manifold housing	Testata	1		
*11	0601.55	"O" Ring Ø1.78x15.54	"O" Ring Ø1.78x15.54	6		
*12	3604.73	Valve assembly	Valvola premontata	6		
*13	0601.22	"O" Ring Ø2.62x18.77	"O" Ring Ø2.62x18.77	6		
*14	1601.47	Valve plug	Tappo valvola	6		
*15	0603.08	Copper washer 1/4	Guarnizione rame G1/4	1		
*16	1601.21	Brass plug G1/4	Tappo G1/4	1		
*17	1801.18	Manifold stud bolt	Vite M8x60	8		
*18	1400.01	Washer	Rosetta Ø8.5	8		
*19	0603.06	Copper washer 3/8	Guarnizione rame G3/8	1		
*20	1601.17	Brass plug G3/8	Tappo G3/8	2		
21	1503.28	Valve seat	Sede valvola	6		
22	1202.00	Valve plate	Piattello valvola	6		
23	0900.30	Valve spring	Molla valvola	6		
24	0604.10	Valve cage	Gabbia valvola	6		

PS-G Series

PARTS LIST

LISTA PARTI

Pos. Item	Codice Part Number	Description	Descrizione	Q.tà per ogni Pompa Q.ty for each Pump	PS305G	PS315G
25	1801.12	Screw	Vite M6x16	8		
26	0203.18	Bearing cover	Coperchio cuscinetto	1		
27	0205.02	Bearing seal	Cappellotto cuscinetto	1	■	■
28	1500.03	Snap ring	Anello Ø25	1		
29	0213.00	Ball bearing	Cuscinetto a sfere	1		
30	0004.98	Crankshaft	Albero eccentrico	1	■	
	0004.99	Crankshaft	Albero eccentrico	1		■
31	1600.12	Oil dip stick	Tappo livello olio	1		
32	0601.83	"O" Ring Ø3.53x55.56	"O" Ring Ø3.53x55.56	1		
33	0200.11	Needle Bearing	Cuscinetto NKS35	1		
34	0600.14	Engine Flange Gasket	Guarnizione Flangia motore	1		
35	0500.96	Engine Flange	Flangia motore	1		
36	1400.02	Washer	Rosetta Ø6,5	4		
37	1801.26	Flange screw	Vite M6x22	4		
38	0001.05	Crankshaft seal	Anello radiale	1		
*39	0302.11	Plunger nut	Dado pistone	3		
*40	1400.06	Copper spacer	Rosetta Ø 9,2/13,5x0,5	3		
*41	1200.23	Plunger 15mm	Pistone Ø15	3		
*42	1400.27	Copper spacer	Rosetta rame	3	■	■
*43	0601.30	"O" Ring Ø1.78x5.28	"O" Ring Ø1.78x5.28	3		
*44	0009.13	Teflon ring	Anello antiestrusione	3		
*45	0003.20	Plunger rod	Asta pistone	3		
*46	1502.04	Connecting rod pin	Spinotto	3		
*47	0100.08	Connecting rod	Biella completa	3		
*48	1401.02	Spring washer	Rosetta elastica Ø6	10		
*49	1801.32	Connecting rod screw	Vite M6x30	6		
50	0700.05	Sight glass	Spia livello olio G3/4	1		
51	0603.02	Gasket	Guarnizione G3/8	1		
52	0203.52	Crankcase cover	Coperchio	1		
53	0601.04	"O" Ring Ø2.62x107.62	"O" Ring Ø2.62x107.62	1		

		Part available in kit only
--	--	-------------------------------

**Particolare disponibile
solo in kit**

*		Part available in kit also
---	--	-------------------------------

**Particolare disponibile
anche in kit**